

ACTIVA 125

It's *Smart*IVA

Honda Motorcycle and Scooter India Pvt. Ltd.
Registered Office: Plot No. 1, Sector - 03, IMT Manesar, Distt. Gurugram, (Haryana) – 122050, India
Visit us at: www.honda2wheelersindia.com **Customer Care:** customercare@honda2wheelersindia.com

Dealer Stamp:
Mascot Honda
GT Road
Aligarh
Tel: 8449431000
Mob: 8449433000





There's something new about Activa 125, it just got smarter.

This Activa 125 is a trend-setter, as it is the first scooter to come with a smart key in the segment. Designed with H-Smart Technology, the smart key is your key to ease, convenience and comfort.

Not just that, there's a digital meter that'll give you real time updates throughout your ride.

So, if you unite Honda's trusted legacy with the supreme technology that builds the Activa125, you'll know

it's not just a scooter,

It's
SmartIVA

Technology

*Equipped with the latest technology,
here's everything that goes into building your Activa 125.*





Experience the globally acclaimed eSP technology that reduces friction and improves combustion, delivering class leading performance and mileage.

POWERFUL 125CC ENGINE

Delivers best-in-class power and pick-up.



IDLING STOP SYSTEM

Wasteful fuel consumption is eliminated with the Idling Stop System that automatically switches the engine off at traffic lights and other brief stops.

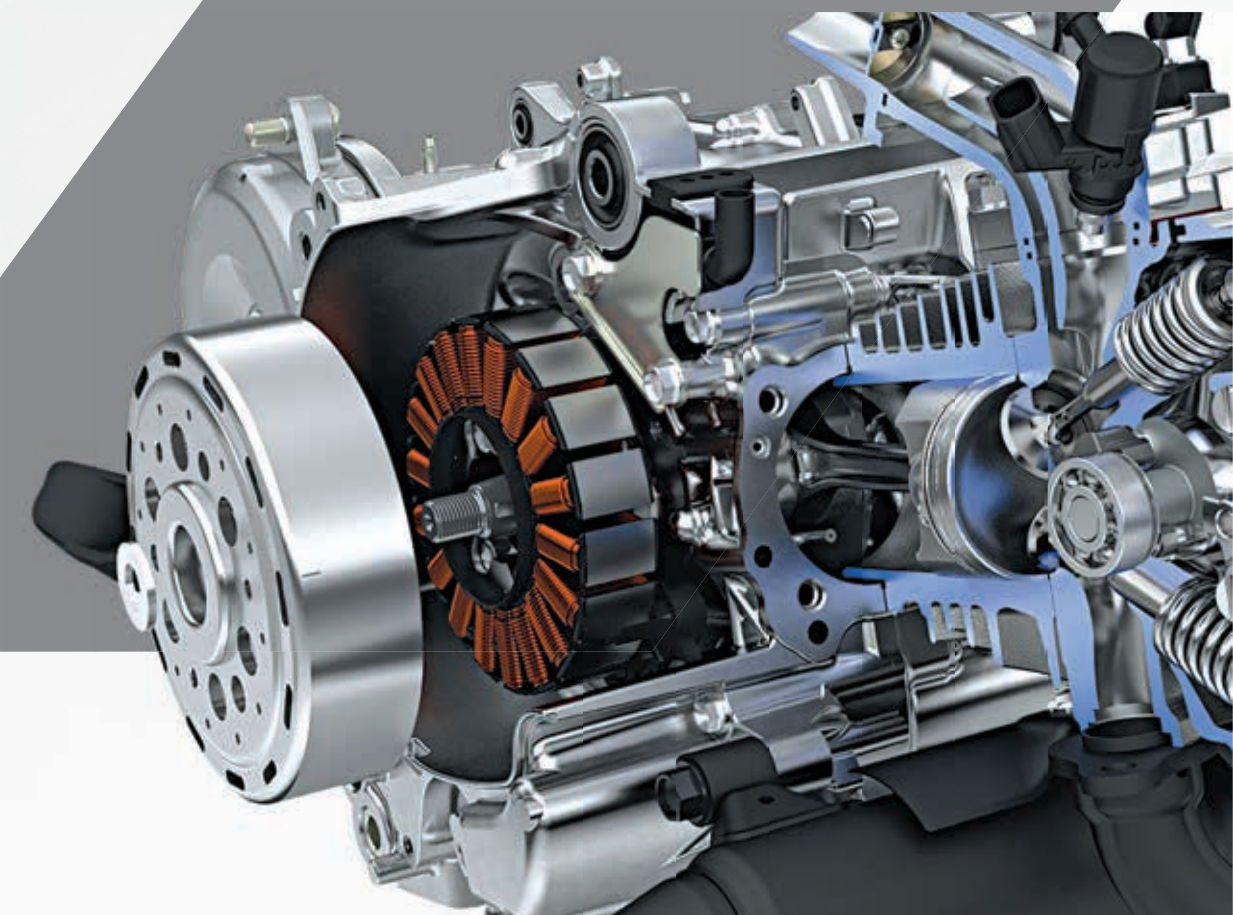


FUEL EFFICIENT TYRES

Honda has developed a new Tyre Compound Technology that greatly reduces rolling resistance by maintaining the road grip.

PGM-FI FUEL INJECTION

Sensor based PGM-FI system constantly adjusts the air/fuel mixture, as per the ride mode and conditions, allowing combustion. This results in consistent performance, better fuel efficiency, all weather start and lesser emissions.



SILENT START WITH ACG

Activa 125 is equipped with ACG starter, which starts the engine silently by removing the gear meshing noise. It also reduces maintenance.

ADVANCE MILEAGE INDICATIONS

Activa 125 is equipped with a modern digital meter that allows you to keep a track of fuel consumption, fuel efficiency and distance to empty throughout the ride.



Real-Time Mileage

It displays live fuel efficiency throughout the ride.

Distance To Empty

It displays the distance you can travel with remaining fuel in the tank.

Average Mileage

It displays overall fuel consumption during the trip.

Smart Key

With **H-Smart** Technology

*The new Honda Smart Key is built with H-Smart technology.
It comes with several features that will transform your experience of using
your Activa 125 – right from the moment you unlock.*





Smart FIND



It's a hassle when one has to go looking for their ride in a parking lot or a crowded place among an array of other two-wheelers, or even in low-light conditions. With the Smart Key, this trouble is taken care of. All you have to do is, click on the **Answer Back Button** on your key, and all the four indicators of your Activa 125 will blink twice. It can be easily located even if it is as far as **10 meters!**

Smart SAFE



We've ensured that your Activa 125 is always secure, even if it is not in sight. With the **Anti-Theft System**, you don't have to think twice about locking your ride, the Smart Key takes control over the protection of your scooter by activating the **immobilizer function** when the Smart Key goes beyond the **2 meter range** of your Activa 125.

Smart UNLOCK



Your two-wheeler key isn't always handy, but with Honda Smart Key, you won't need the key in hand. When the Smart Key is within the **2 meter range** of Activa 125, you push and rotate the knob to perform various operations like your **seat, fuel cap and handle** can all be unlocked just like that.

Smart START



Here's a way to start your ride that doesn't even require you to take out the key from your pocket! Once the key is within **2 meters** of your Activa 125, and activated, all you have to do is **push the knob** – the LED Smart Key indicator on the speedometer will come on – then just rotate the knob to **turn on the ignition and start the engine with Start/Stop switch**.



Style & Convenience

Let your arrival make a statement full of style along with convenience that stays throughout the ride.

**LED HEADLAMP AND
SIGNATURE LED
POSITION LAMP.**

The glamorous LED headlamp with stylish LED position lamp adds to the style quotient of Activa 125.



COMMANDING TAIL LAMP

The bold, X-shaped broad design of the tail lamp commands attention and admiration equally.



**PREMIUM CHROME
STROKE ON SIDE PANEL**

Activa 125 logo is carved on the side panel with chrome highlights, projecting the premium essence of your scooter.



**MULTI - FUNCTION
SWITCH UNIT***

One compact console ensures safety of the vehicle and convenience of opening the underseat storage and external fuel lid.



**DOUBLE LID EXTERNAL
FUEL FILL**

Fuel filling right at your fingertips. Now get fuel filled while sitting on your scooter.



OPEN GLOVE BOX

Spacious open glove box adds additional storage space.

Reliability & Comfort

*Activa 125 is efficiently backed by Honda's trusted legacy.
Take a ride with features that make your ride reliable and super comfortable.*





FULL METAL BODY

Full metal body complements the solid trust of the Activa 125.



SIDE STAND ENGINE CUTOFF*

Side stand engine cut off prohibits the engine from starting, when the side stand is open.



TELESCOPIC FRONT SUSPENSION AND FRONT DISC BRAKE#

Telescopic front suspension makes every ride comfortable and disc brake provides control & confidence in all speeds.

Technical Specifications

BODY DIMENSIONS

Length	1850 mm
Width	707 mm
Height	1170 mm
Wheel Base	1260 mm
Ground Clearance	162 mm
Seat Length	712 mm
Kerb Weight	1. Drum: 110 kg 2. Drum Alloy, Disc, Smart: 109 kg
Fuel Tank Capacity	5.3 L

ENGINE

Type	4 Stroke, SI Engine
Displacement	124 cc
Max Net Power	6.11 kW @ 6250 rpm
Max Net Torque	10.4 N-m @ 5000 rpm
Bore	50.000 mm
Stroke	63.113 mm
Fuel System	PGM-Fi
Compression Ratio	10.0:1
Air Filter Type	Viscous Paper Filter
Starting Method	1. Drum, Drum Alloy, Disc: Kick/self 2. Smart: Self

TRANSMISSION

Clutch Type	Automatic
-------------	-----------

TYRES & BRAKES

Tyre Size (Front)	90/90-12 54J
Tyre Size (Rear)	90/100-10 53J
Tyre Type (Front & Rear)	Tubeless
Brake Type & Size (Front)	Disc-190 mm
Brake Type & Size (Rear)	Drum-130 mm

FRAME & SUSPENSION

Frame Type	Under Bone
Front	Telescopic
Rear	3-Step Adjustable Spring Loaded Hydraulic

ELECTRICALS

Battery	1. Drum, Drum Alloy: 12V 4Ah (MF) 2. Disc, Smart: 12V 5Ah (MF)
Headlamp	LED

Colours



HEAVY GRAY METALLIC



MIDNIGHT BLUE METALLIC



PEARL NIGHT STAR
BLACK



PEARL PRECIOUS WHITE WITH
SALEN SILVER METALLIC



REBEL RED METALLIC

• The technical specifications and design of the vehicle may vary according to the requirements and conditions without any notice • *Distance to empty, real time and average mileage readings may vary as per the variant and riding conditions • Activa 125 meets Bharat Stage VI norms • Product shown in the picture may vary from the actual product available in the market • Accessories shown in the picture are not part of the standard equipment

• The technical specifications mentioned are for the H-Smart variant • *All features and colours may not be part of all variants • **Conditions apply